



BROILER

SERVING THE FOOD INDUSTRY SINCE 1951

QUARTZ ADJUSTABLE DOUBLE SALAMANDER

Item: 39582

Model: CE-CN-1633-D



*High Performance
and Quality
Double Salamander*



Authorized Dealer

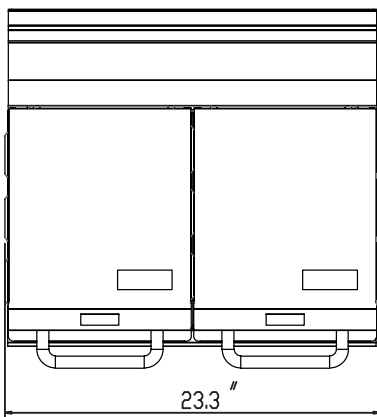


COOKING EQUIPMENT

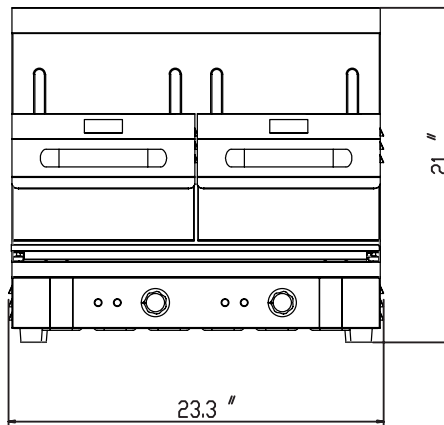
ADJUSTABLE DOUBLE SALAMANDER



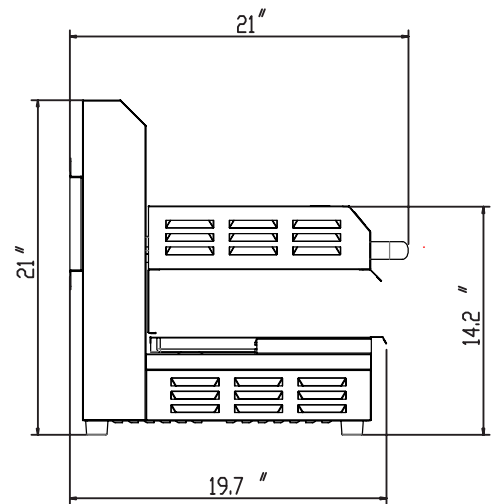
Detail Shots



TOP VIEW



FRONT VIEW



SIDE VIEW

Features:

- Quick quartz heating from top
- Adjustable top grill for quick cooking with minimal heat loss
- Removable base tray
- Rubber feet
- Wall mount kit included
- Adjustable heating supply
- Built with stainless steel

Ideal for heating, baking, cooking pizzas, sandwiches, cakes and much more. It distributes heat evenly for great cooking results.

PRODUCT SPECIFICATIONS

ITEM	39582	WEIGHT	107 lbs/ 48.5 kg.
MODEL	CE-CN-1633-D	PACKAGING WEIGHT	109 lbs./ 49.4 kg.
MATERIAL	Stainless Steel	DIMENSIONS (DWH)	21" x 23.3" x 21" / 533 x 592 x 533 mm
WARMING BASE	22.8" x 14" / 580 x 355 mm	PACKAGING DIMENSIONS	36" x 24" x 27" / 914 x 610 x 686 mm
POWER	3200 W		
ELECTRICAL	240V / 60 Hz		

OMCAN INC.

Telephone: 1-800-465-0234
 Fax: (905) 607-0234
 E-mail: sales@omcan.com
 Website: www.omcan.com



Follow us to keep up to date with the latest news and offers

